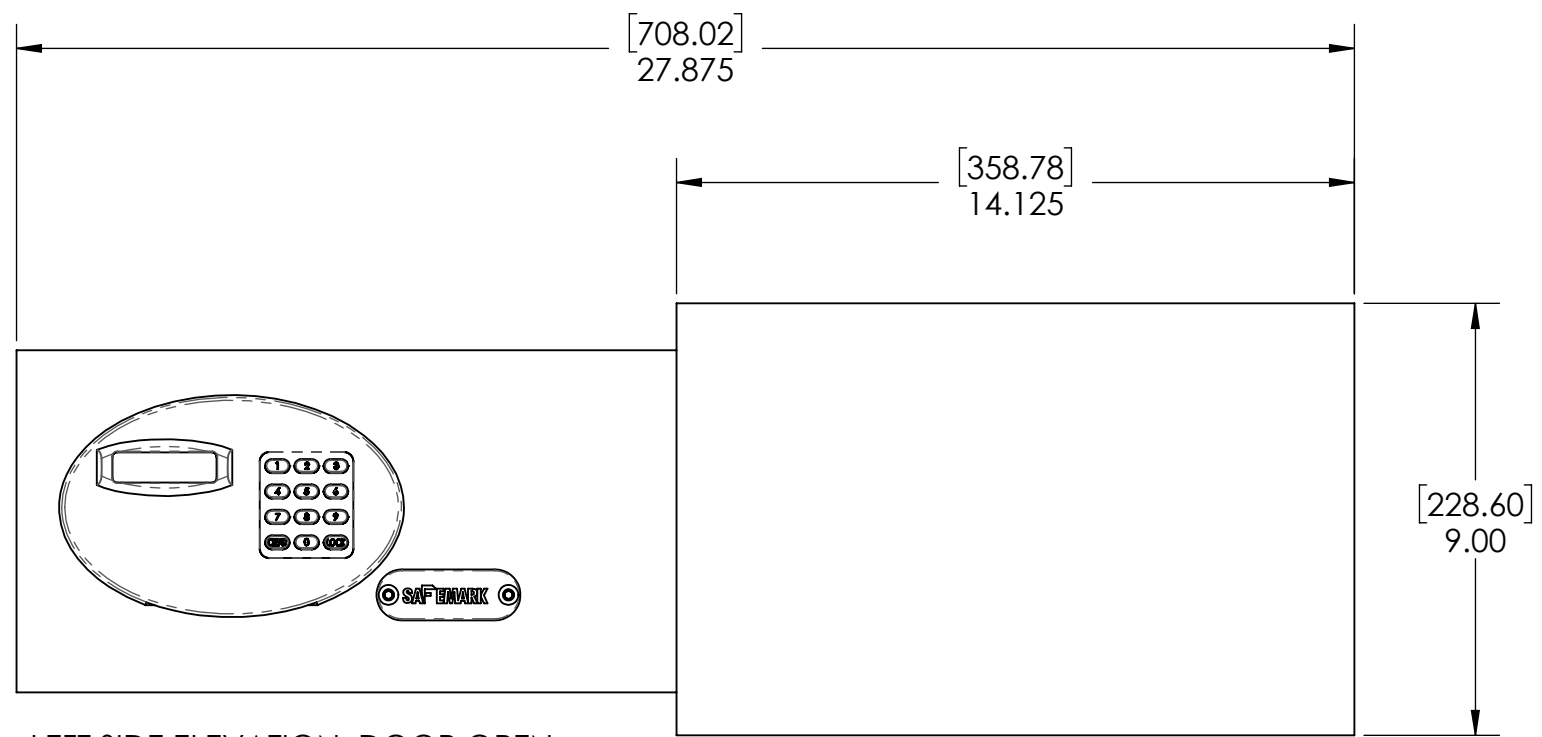
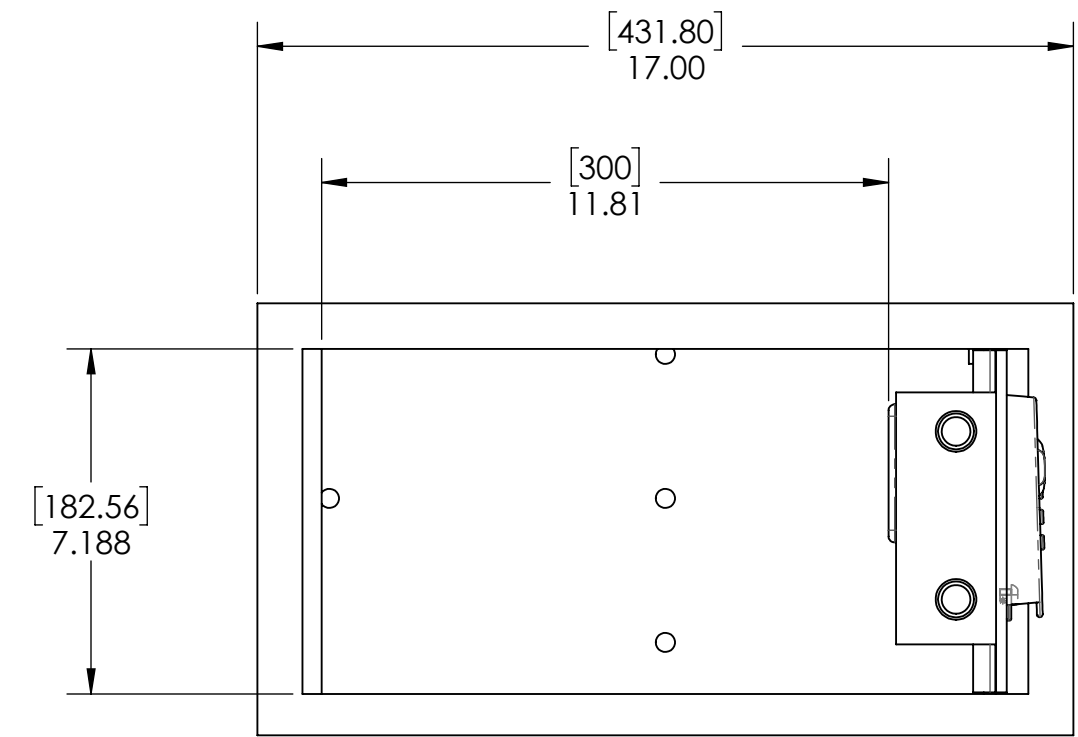


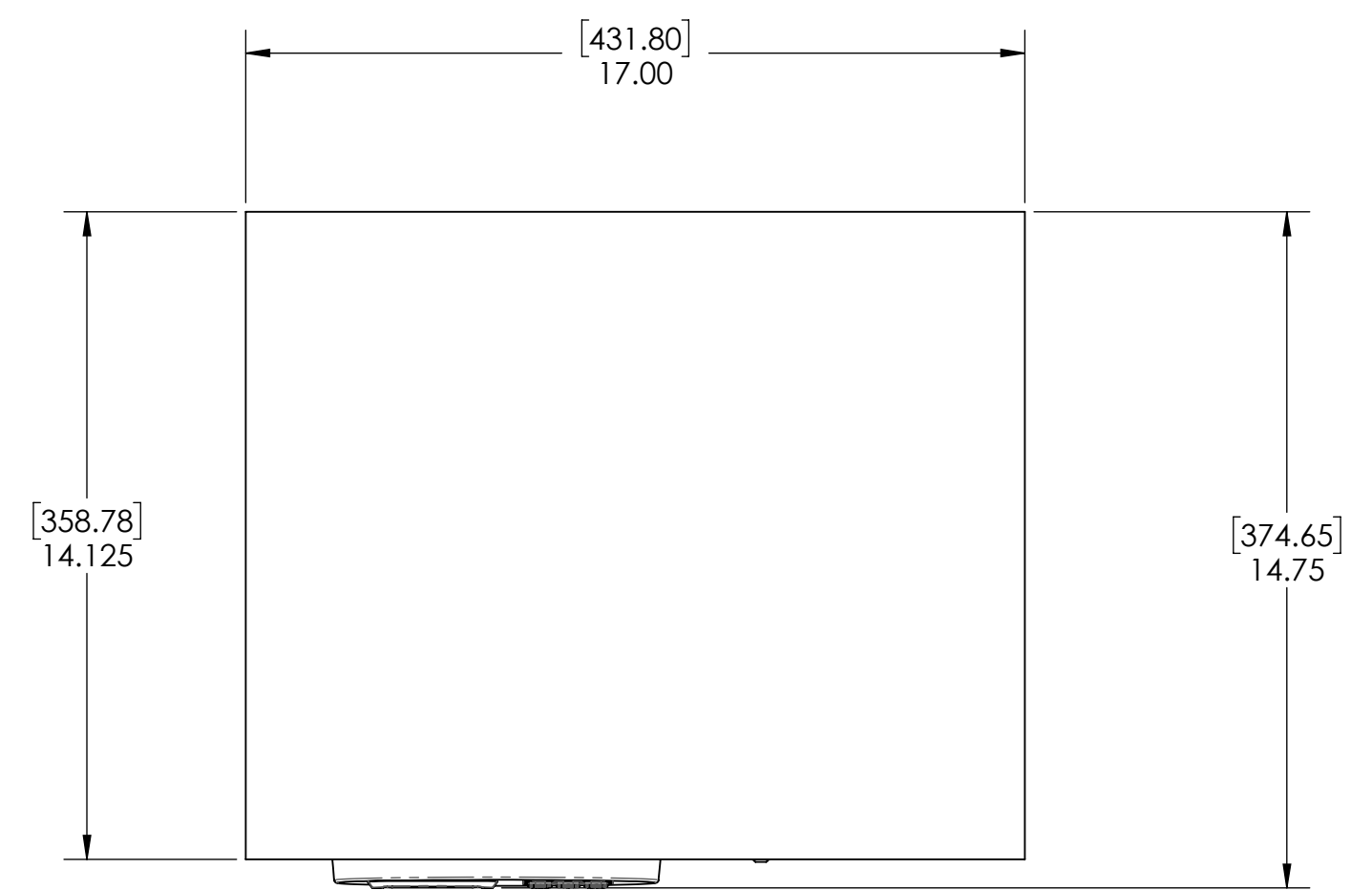
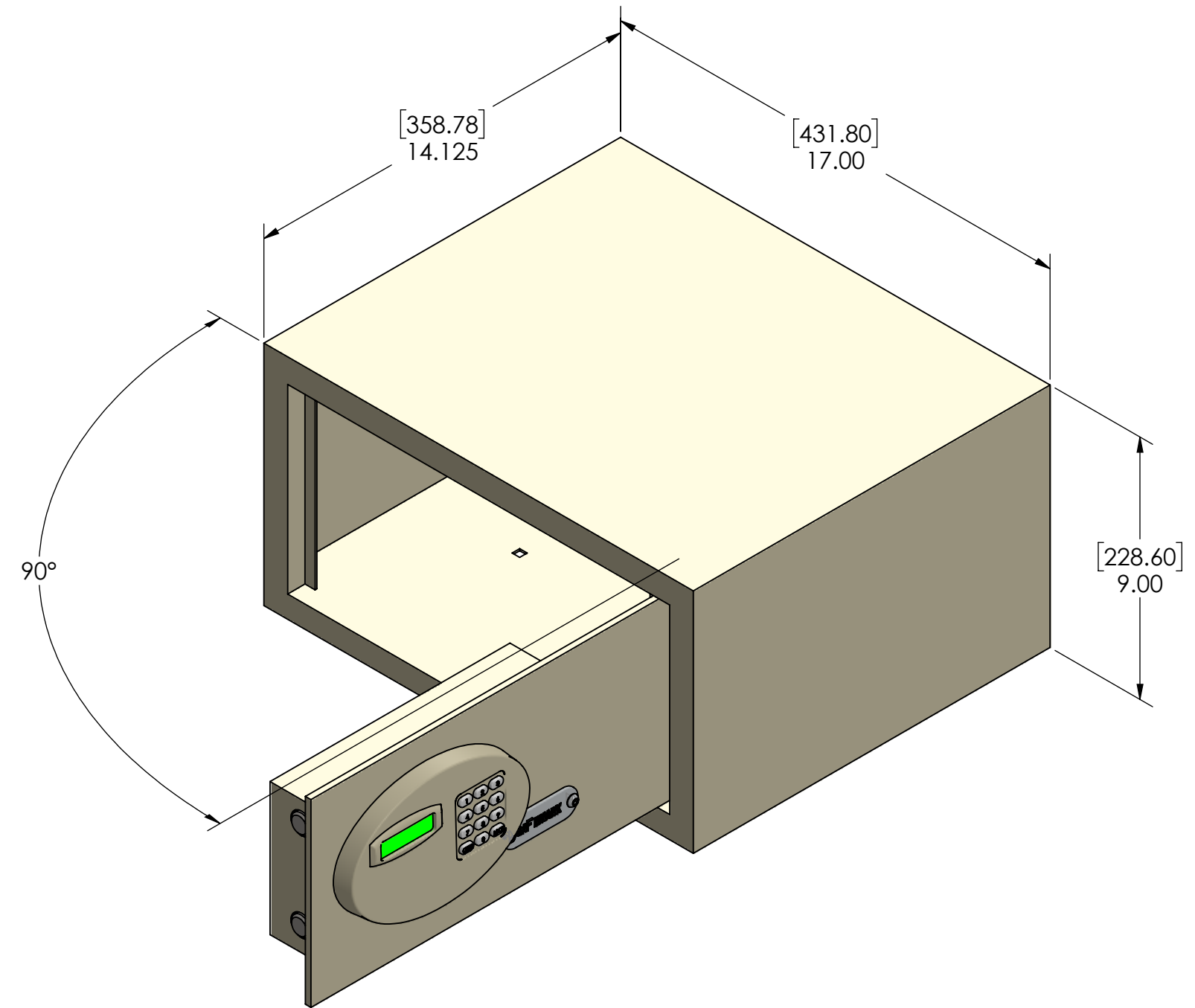
REVISIONS				
REV.	ZONE	DESCRIPTION	DATE	APPRD
1	ALL	INITIAL RELEASE	9/13/16	CWF



LEFT SIDE ELEVATION, DOOR OPEN
RH HINGE (REVERSE FOR LH HINGE)



FRONT ELEVATION, DOOR OPEN
RH HINGE (REVERSE FOR LH HINGE)



TOP VIEW, DOOR CLOSED

SAFE WEIGHT: 30 lb [13.6 kg]

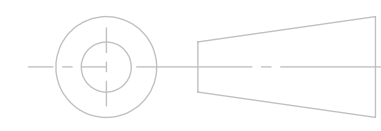
UNLESS OTHERWISE SPECIFIED:
 DIMENSIONS ARE IN INCHES
 TOLERANCES:
 FRACTIONAL ± 1/16
 ANGULAR: ± 1/2°
 TWO PLACE DECIMAL +/- .05
 THREE PLACE DECIMAL +/- .005
 FOUR PLACE DECIMAL +/- .0005

THE INFORMATION CONTAINED IN THIS
 DRAWING IS THE SOLE PROPERTY OF
 SAFEMARK. ANY REPRODUCTION IN
 PART OR AS A WHOLE WITHOUT THE
 WRITTEN PERMISSION IS PROHIBITED.
 PROPRIETARY AND CONFIDENTIAL

	NAME	DATE
DRAWN	CWF	9/13/16
CHECKED		
ENG APPR.		
MFG APPR.		

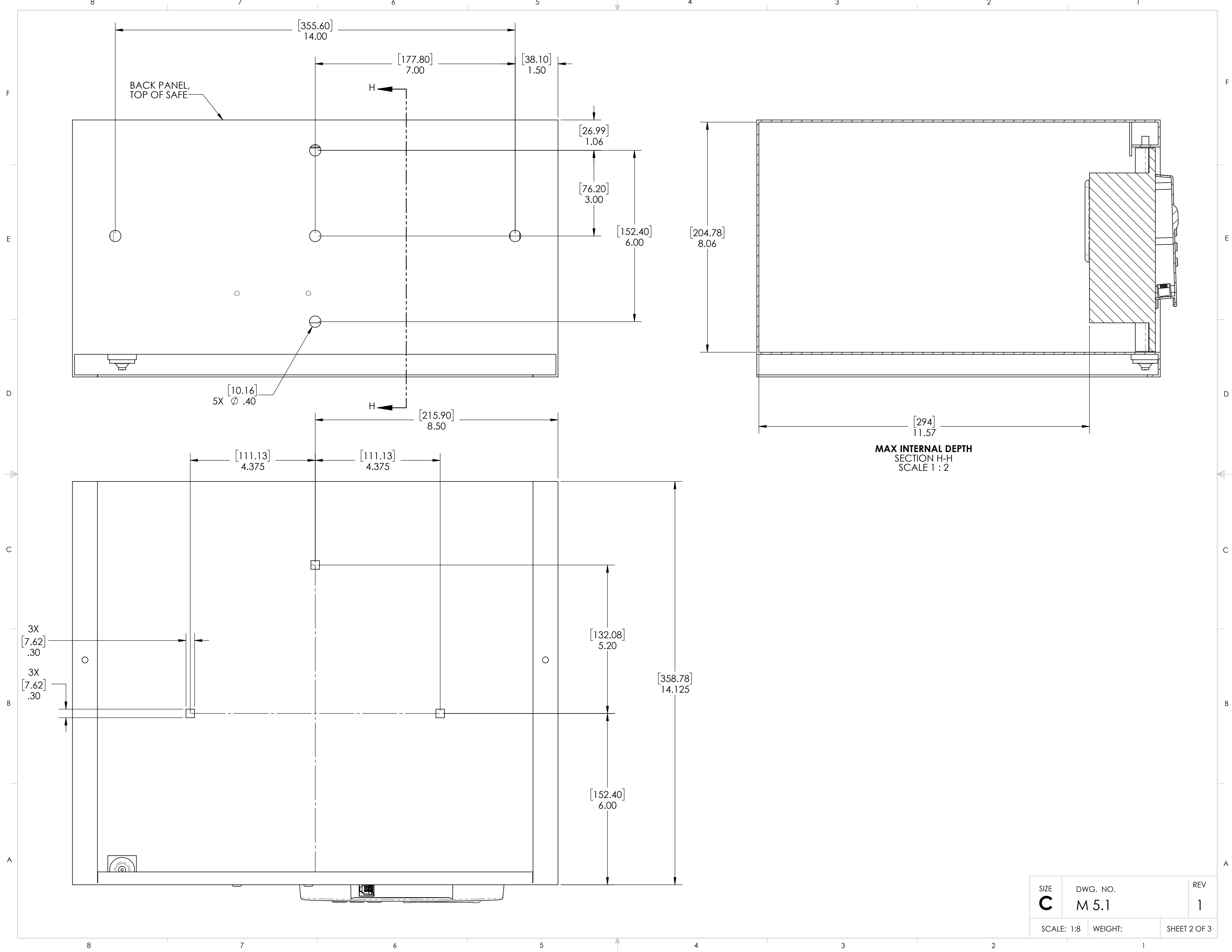
SAFEMARK™
 Orlando, FL

TITLE:
M 5.1 ELECTRONIC SAFE

THIRD ANGLE PROJECTION

 DO NOT SCALE DRAWING

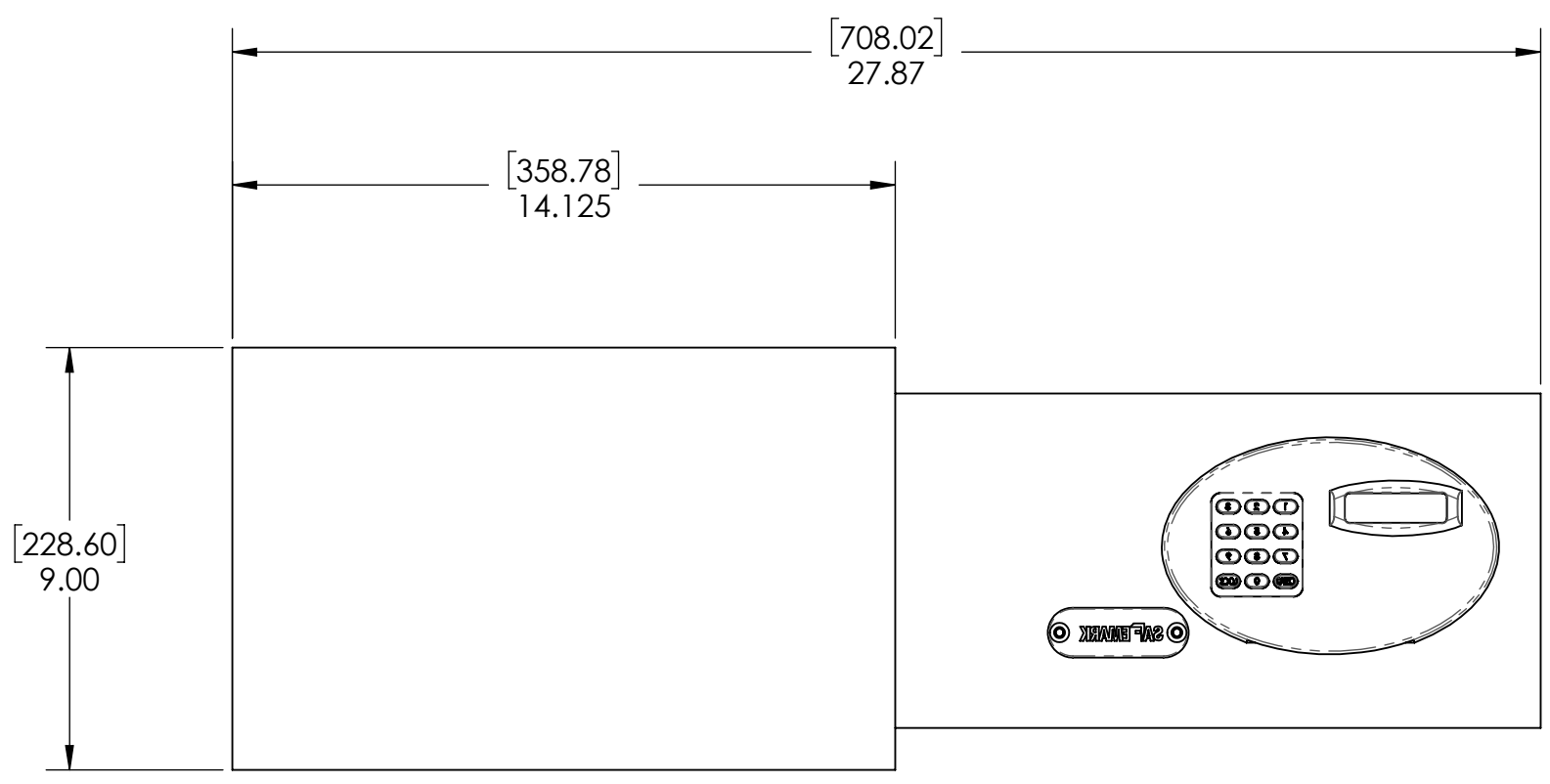
SIZE	DWG. NO.	REV
C	M 5.1	1

SCALE: 1:8 WEIGHT: SHEET 1 OF 3

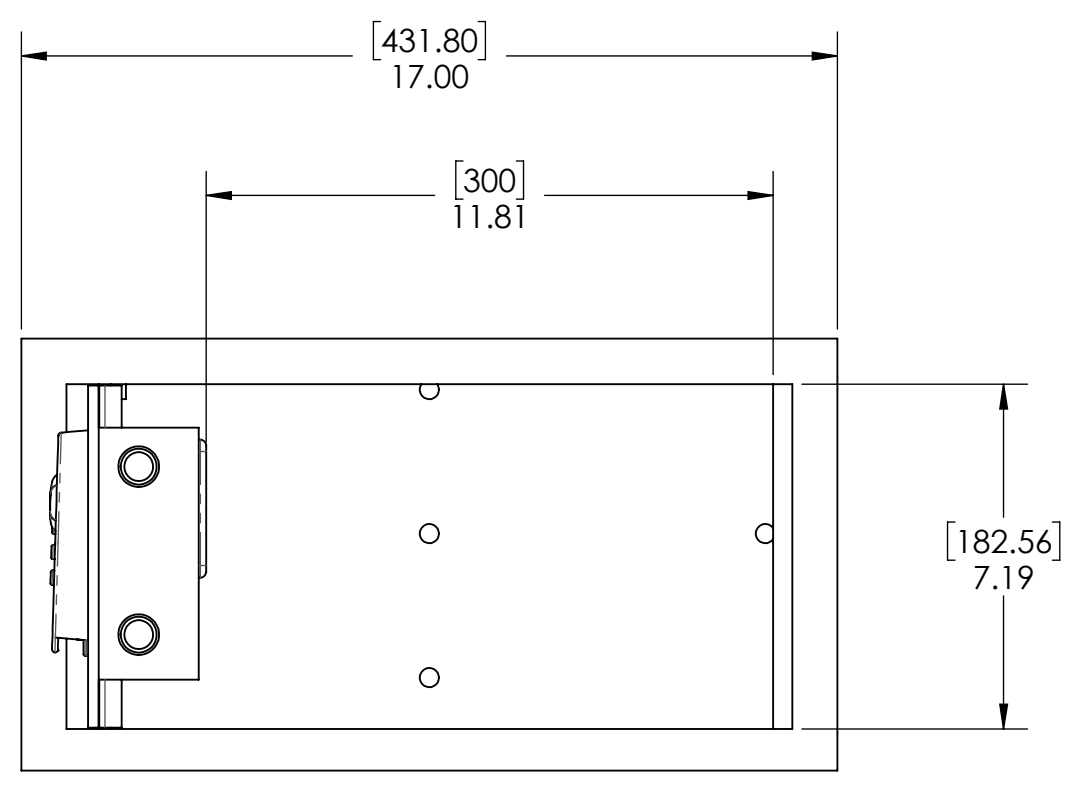


SIZE C	DWG. NO. M 5.1	REV 1
SCALE: 1:8	WEIGHT:	SHEET 2 OF 3

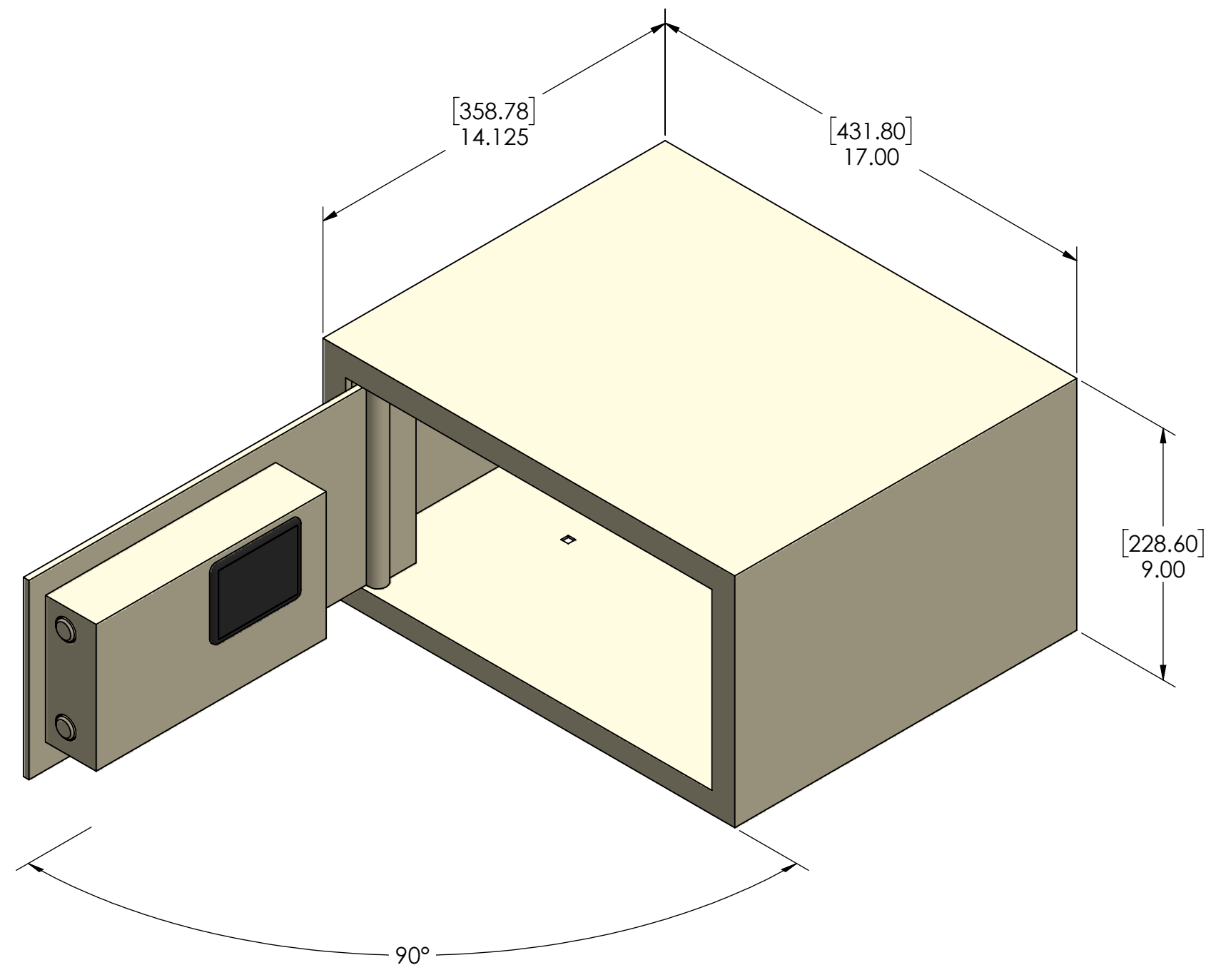
REVISIONS				
REV.	ZONE	DESCRIPTION	DATE	APPRD
1	ALL	INITIAL RELEASE	1/5/17	CWF



RIGHT SIDE ELEVATION, DOOR OPEN
LH HINGE (REVERSE FOR RH HINGE)

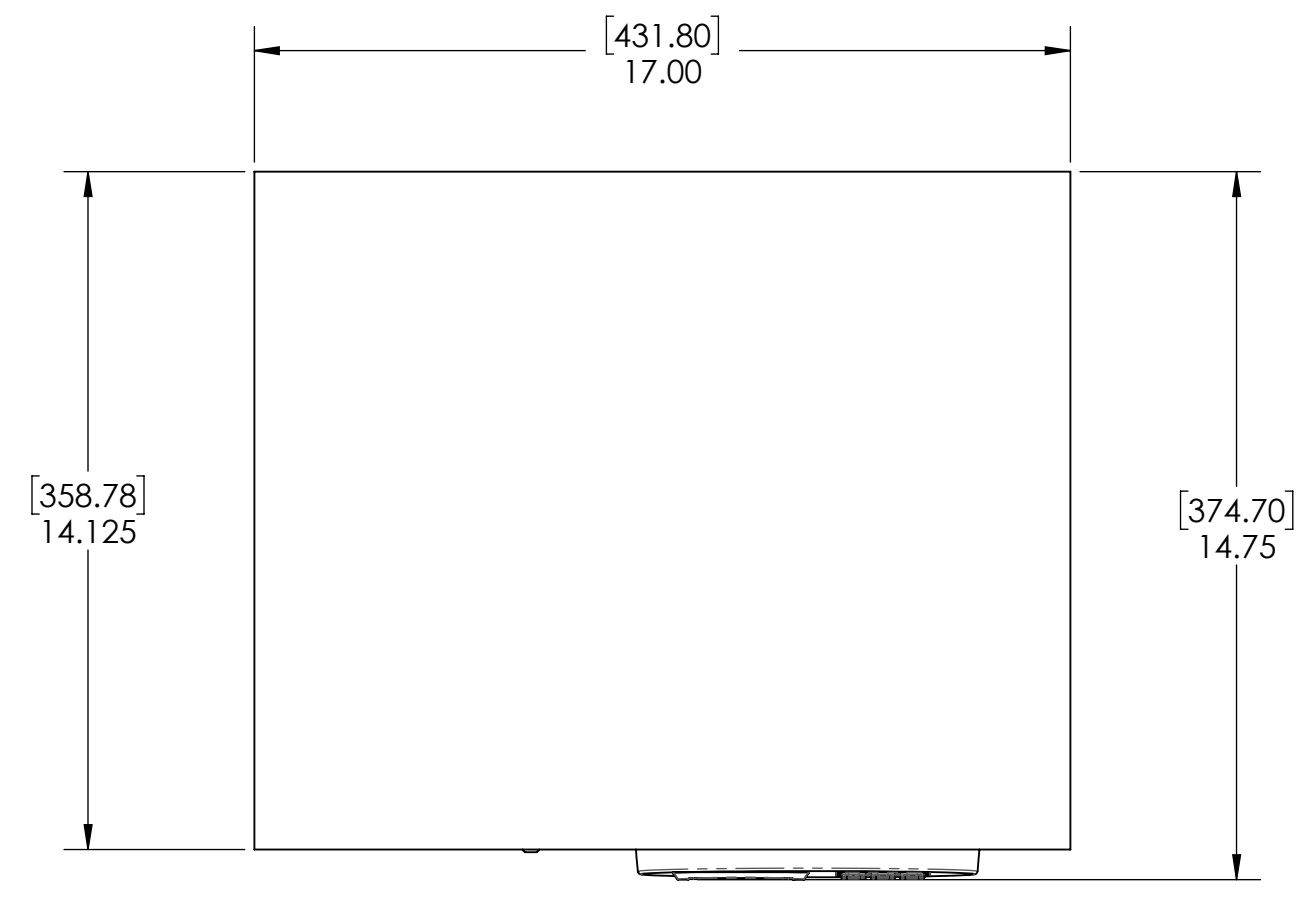


FRONT ELEVATION, DOOR OPEN
LH HINGE (REVERSE FOR RH HINGE)



90°

SAFE WEIGHT: 30 lb [13.6 kg]



TOP VIEW, DOOR CLOSED

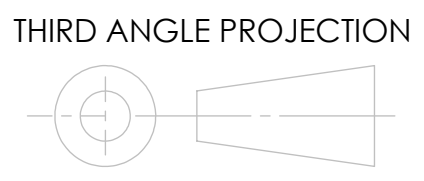
UNLESS OTHERWISE SPECIFIED:
 DIMENSIONS ARE IN INCHES
 TOLERANCES:
 FRACTIONAL ± 1/16
 ANGULAR: ± 1/2°
 TWO PLACE DECIMAL +/- .05
 THREE PLACE DECIMAL +/- .005
 FOUR PLACE DECIMAL +/- .0005

THE INFORMATION CONTAINED IN THIS DRAWING IS THE SOLE PROPERTY OF SAFEMARK. ANY REPRODUCTION IN PART OR AS A WHOLE WITHOUT THE WRITTEN PERMISSION IS PROHIBITED. PROPRIETARY AND CONFIDENTIAL

	NAME	DATE
DRAWN	CWF	1/5/17
CHECKED		
ENG APPR.		
MFG APPR.		



TITLE:
M 5.1 ELECTRONIC SAFE (LH)



THIRD ANGLE PROJECTION

SIZE	DWG. NO.	REV
C	M 5.1 (LH)	1

DO NOT SCALE DRAWING SCALE: 1:4 WEIGHT: SHEET 3 OF 3